

**University of Jordan
School of Engineering
Electrical Engineering Department**

**EE 204
Electrical Engineering Lab**

**EXPERIMENT 3
NETWORK THEOREMS**

Prepared by: Prof. Mohammed Hawa

EXPERIMENT 3 NETWORK THEOREMS

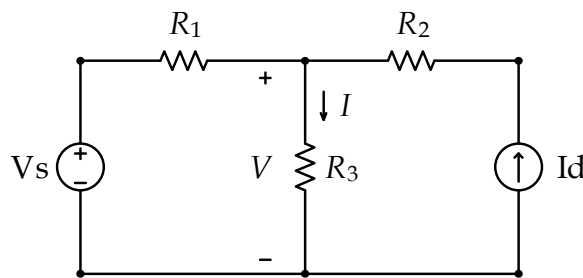
OBJECTIVE

When you complete this experiment, you will have verified the superposition theorem as applied to multiple-source DC circuits. You will also have examined both the Thévenin and Norton theorems, the maximum power transfer condition, and learnt about the practical workings of adjustable resistances, namely the potentiometer and rheostat.

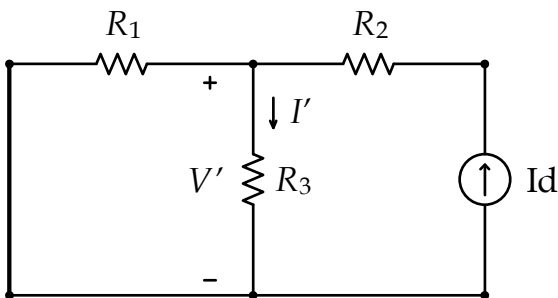
DISCUSSION

Superposition Theorem

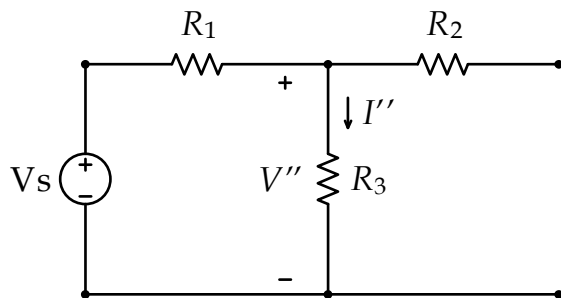
The superposition theorem states that in a linear multi-source AC or DC circuit, the current through (or voltage across) any particular element may be determined by considering the contribution of each source independently, with the remaining sources switched OFF (i.e., replaced with their internal resistances). The contributions are then summed, paying attention to polarities, to find the total value. Superposition *cannot* in general be applied to non-linear circuits or to non-linear quantities such as power. An example circuit with two sources (voltage source and current source) is shown below.



If we switch OFF the voltage source we get



If we switch OFF the current source we get

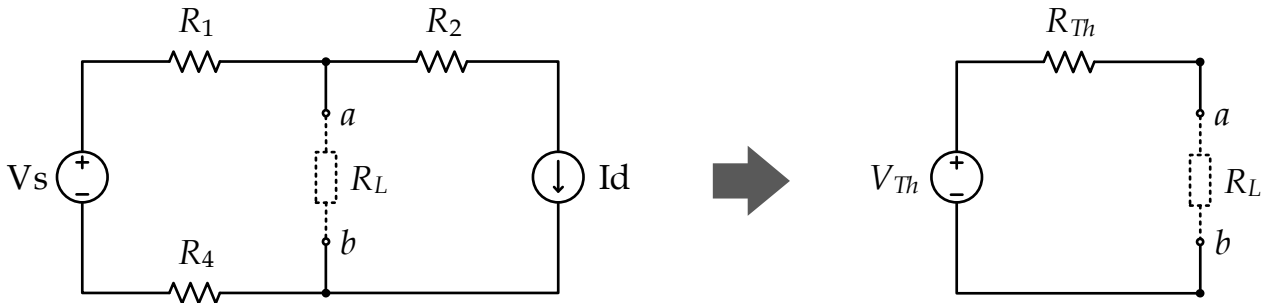


Hence, we can obtain $I = I' + I''$ and $V = V' + V''$. However, $P \neq P' + P''$.

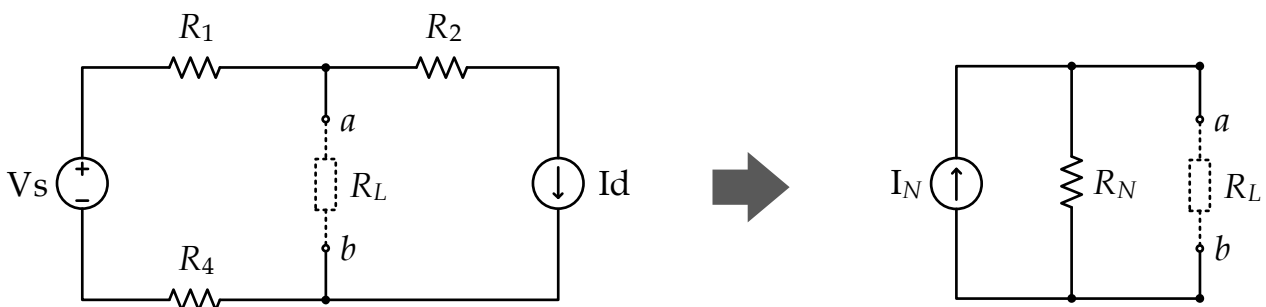
Thévenin and Norton Theorems

Thévenin's theorem states that any linear circuit may be replaced by a single voltage source with an appropriate equivalent resistance. The Thévenin equivalent will produce the same load current and voltage as the original circuit to any load. The Thévenin voltage can be found by determining the open circuit output voltage. The Thévenin resistance is found by replacing sources with their internal resistances and determining the resulting combined resistance as

seen from the two ports using standard series-parallel analysis techniques. In the laboratory, the Thévenin resistance may be found using an ohmmeter (again, when replacing the sources with their internal resistances); or by finding the open circuit voltage and short circuit current at the two desired ports. An example is shown below.



Norton's theorem is the dual of Thévenin's theorem, and states that any linear circuit may be replaced by an equivalent current source in parallel with an equivalent resistance. The equivalent current is the current obtained when short circuiting the two terminals in question. The equivalent resistance is the same as Thévenin's equivalent resistance. An example is shown below.



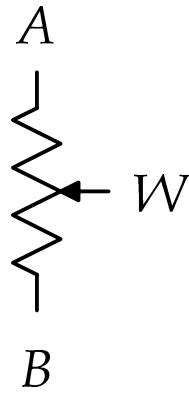
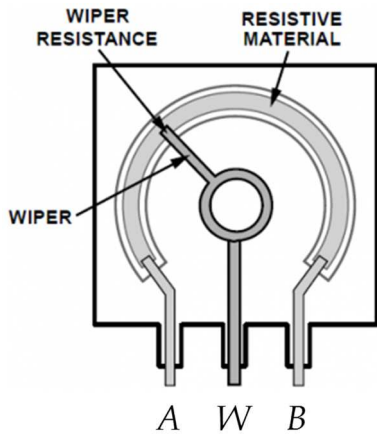
Maximum Power Transfer

In order to achieve the maximum load power in a circuit, the load resistance must equal the Thévenin resistance. Any load resistance value above or below this will produce a smaller load power.

Potentiometer and Rheostat

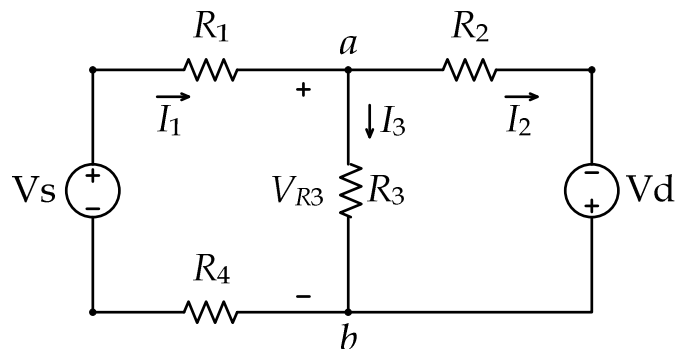
A potentiometer is a three terminal resistive device (see figure below). The outer terminals present a constant resistance which is the nominal value of the device. A third terminal, called the wiper arm, is a contact point that can be moved along the resistance. This three terminal configuration is used typically to adjust voltage via the voltage divider rule, hence the name potentiometer, or pot for short. While the resistance change is often linear with rotation (i.e., rotating the shaft 50% yields 50% resistance), other schemes, called tapers, are also found.

If only a single outer terminal and the wiper are used, the device is merely an adjustable resistor and is referred to as a rheostat. These may be placed in-line with a load to control the load current.



PROCEDURE A - SUPERPOSITION THEOREM

1. Construct the circuit shown below. Assume that $R_1 = 1000 \Omega$, $R_2 = 2200 \Omega$, $R_3 = 680 \Omega$, and $R_4 = 470 \Omega$.



2. Set the DC supplies output voltage controls to minimum then connect them to the circuit. Switch both DC supplies ON, and set their voltages to $V_s = 10$ Volts and $V_d = 8$ Volts. Verify these voltages using a voltmeter.

3. Use theoretical analysis (say nodal or mesh analysis) to determine all the currents in the circuit: I_1 , I_2 , I_3 , and the voltages across all resistors: V_{R1} , V_{R2} , V_{R3} , V_{R4} . Record these values in the first column under Theory in Table 1. What analysis method did you use?

.....

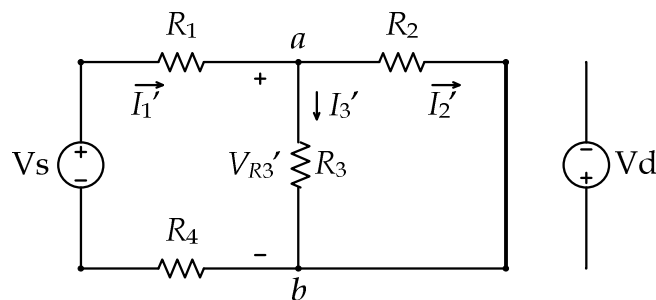
4. Use the digital multimeter (DMM) to measure all the currents in the circuit: I_1 , I_2 , I_3 , and the voltages across all resistors: V_{R1} , V_{R2} , V_{R3} , V_{R4} . Record these values in the first column of Table 1. Are the measured values close to the theory-based answers?

.....

Table 1

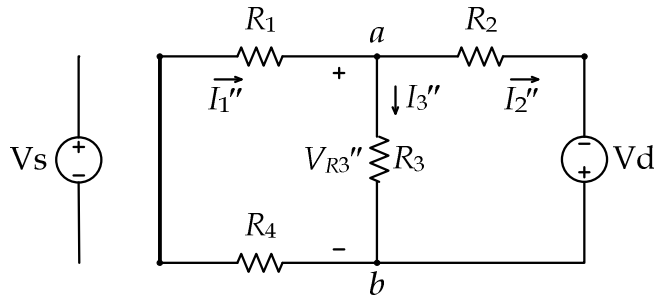
	Vs & Vd in circuit		Vs only in circuit		Vd only in circuit		column 2+column 3	
	Theory	Meas.	Theory	Meas.	Theory	Meas.	Theory	Meas.
I_1 (mA)								
I_2 (mA)								
I_3 (mA)								
V_{R1} (V)								
V_{R2} (V)								
V_{R3} (V)								
V_{R4} (V)								

5. We can use superposition to find the voltages and currents in the circuit. To do that, each source contribution needs to be found separately. So, first kill source Vd by disconnecting it from the circuit and replacing it with a short (see the figure below). **WARNING:** Do not short circuit the supply while still connected to the circuit to avoid damaging it. DISCONNECT the power supply completely!



6. Determine all the currents in the circuit: I_1' , I_2' , I_3' , and the voltages across all resistors: V_{R1}' , V_{R2}' , V_{R3}' , V_{R4}' using standard series-parallel techniques and record them in the second column under Theory in Table 1. Now measure the actual currents and voltages from the circuit, and record them in Table 1. Make sure to note the polarity.

7. Repeat the process by killing source V_s by disconnecting it from the circuit and replacing it with a short (as shown below). Record all the currents in the circuit: I_1'' , I_2'' , I_3'' , and the voltages across all resistors: V_{R1}'' , V_{R2}'' , V_{R3}'' , V_{R4}'' contributed by the second source (theoretical and measured) in Table 1. **WARNING:** Do not short circuit the supply while still connected to the circuit to avoid damaging it. DISCONNECT the power supply completely!



8. Add the contributions of both sources in the last column of Table 1. Compare the sum of the contributions (last column in Table 1) with the voltage and current values found when the two sources were active (first column in Table 1). What are your conclusions?

.....

9. Now that you have the current and voltage for each component in the circuit, you can compute the power consumed (or generated) by that component (remember that Power = Voltage \times Current). Use the voltage and current values in Table 1 to calculate the power values in Table 2. Compare the sum of V_s and V_d contributions to power (last column in Table 2) with the power values found when the two sources are active (first column in Table 2). What are your conclusions?

.....

10. Is power a linear quantity or non-linear quantity? Why is this significant?

.....

Table 2

	Vs & Vd in circuit		Vs only in circuit		Vd only in circuit		column 2+column 3	
	Theory	Meas.	Theory	Meas.	Theory	Meas.	Theory	Meas.
P_{R1} (mW)								
P_{R2} (mW)								
P_{R3} (mW)								
P_{R4} (mW)								
P_{Vs} (mW)								
P_{Vd} (mW)								

11. What is the relationship between $P_{R1} + P_{R2} + P_{R3} + P_{R4}$, on the one side, and $P_{Vs} + P_{Vd}$, on the other side?

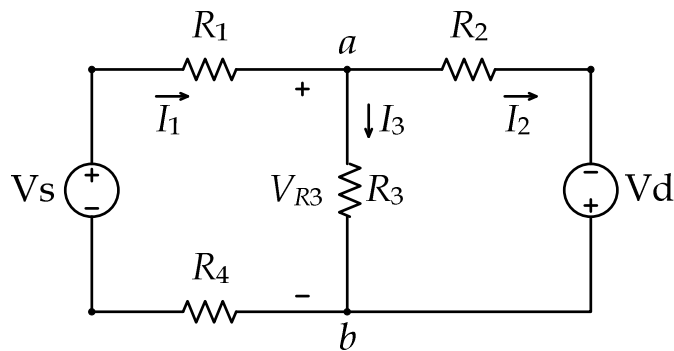
.....

12. When is it preferable to use superposition compared to nodal and mesh analysis?

.....

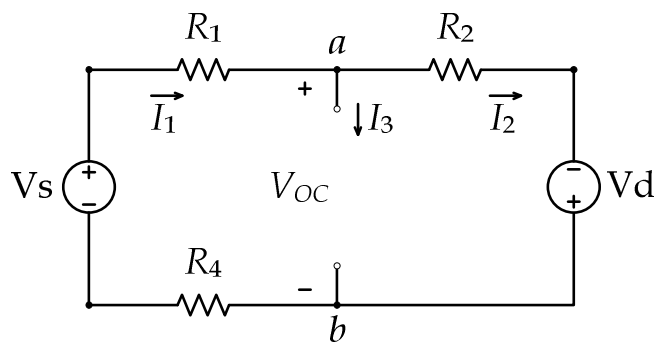
PROCEDURE B - THÉVENIN AND NORTON EQUIVALENT CIRCUITS

1. Construct the circuit shown below. Assume that $R_1 = 1000 \Omega$, $R_2 = 2200 \Omega$, $R_3 = 680 \Omega$, and $R_4 = 470 \Omega$. You will attempt to find the Thévenin and Norton equivalent circuits as seen by the resistance R_3 .

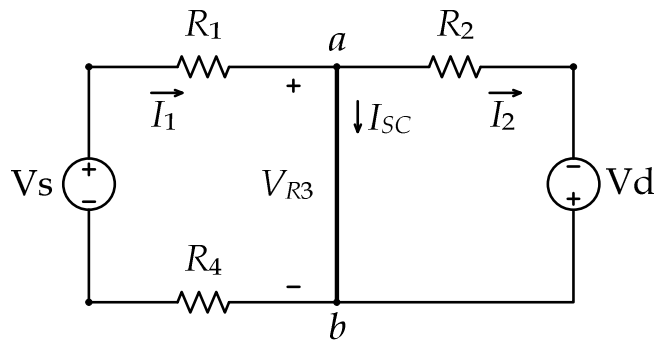


2. Set the DC supplies output voltage controls to minimum then connect them to the circuit. Switch both DC supplies ON, and set their voltages to $V_s = 10$ Volts and $V_d = 8$ Volts. Verify these voltages using a voltmeter.

3. First, remove R_3 to create an open circuit between terminals a and b as shown below. Evaluate the voltage V_{OC} theoretically then measure it using a voltmeter. Pay attention to polarity. Record the values in the first column of Table 3.



4. Switch OFF the power supplies and replace the voltmeter with an ammeter between terminals a and b as shown below. Remember that the ammeter has a very small resistance, which mean it is almost a short circuit. **WARNING:** Be careful not to short circuit the power supplies using the ammeter.



5. Now switch ON the power supplies and measure the current I_{SC} . Pay attention to polarity. Also evaluate the current I_{SC} theoretically and record the values in the second column of Table 3. Then compute the value V_{OC}/I_{SC} .

Table 3

V_{OC} (V)		I_{SC} (mA)		V_{OC}/I_{SC} (Ω)		R_{ab} (Ω)	
Theory	Meas.	Theory	Meas.	Theory	Meas.	Theory	Meas.

6. Finally, kill both sources by disconnecting them from the circuit and replacing them with shorts. **WARNING:** Do not short circuit the supplies while still connected to the circuit to avoid damaging them. DISCONNECT the power supplies completely!

7. Remove the ammeter, and replace it with an Ohmmeter between terminals a and b . Record the Ohmmeter reading (R_{ab}) in Table 3, along with the theoretical value.

8. Compare the values of V_{OC}/I_{SC} and R_{ab} . State your conclusions.

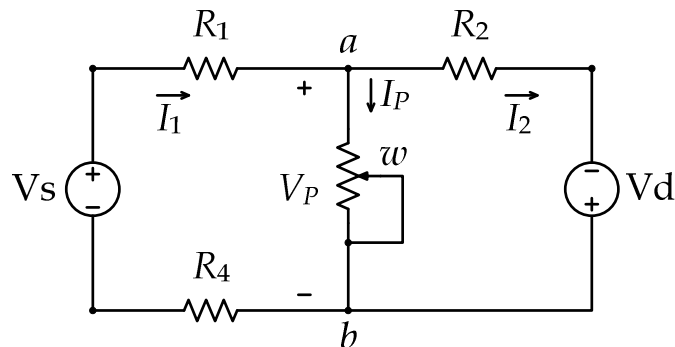
.....

9. Draw the theoretical Thévenin and Norton equivalent circuits for the above circuit with R_3 connected.

.....

PROCEDURE C - MAXIMUM POWER TRANSFER

1. Construct the circuit shown below. Assume that $R_1 = 1000 \Omega$, $R_2 = 2200 \Omega$, and $R_4 = 470 \Omega$. Notice that R_3 is now replaced with a $10 \text{ k}\Omega$ potentiometer.



2. Remove the potentiometer out of the circuit, place it on a different location on the breadboard and change its resistance between points a and w to 220Ω , then place it again into the circuit.

3. Set the DC supplies output voltage controls to minimum then connect them to the circuit. Switch both DC supplies ON, and set their voltages to $V_s = 10 \text{ Volts}$ and $V_d = 8 \text{ Volts}$. Verify these voltages using a voltmeter. Measure the voltage V_P across the potentiometer, and record it in Table 4.

4. Use this measured V_P value to calculate the power P absorbed by the potentiometer. Remember that $\text{Power} = \text{Voltage}^2 / \text{Resistance}$. Record the power value in Table 4. Also compute and record the theoretical values for V_P and P in Table 4. Hint: Using the Thévenin equivalent circuit can help you get theoretical answers faster.

Table 4

Potentiometer Resistance (Ω)	V_P (V)		P (mW)	
	Theory	Measured	Theory	Measured
220 Ω				
441 Ω				
661 Ω				
881 Ω				
1322 Ω				
1762 Ω				
2203 Ω				

5. Repeat the above process by disconnecting the potentiometer from the circuit, setting its resistance value to the ones shown in Table 4, placing it back into the circuit, and making the voltage measurements.

6. Why can't you just measure the potentiometer resistance while it is still connected to the circuit?

.....

7. Plot the absorbed power P versus potentiometer resistance (*provide handwritten plots on the graph paper attached at the end of the report*). At what resistance value do you observe maximum power transfer?

.....

8. What is so special about the above resistance value? Hint: review procedure B.

.....

**** End ****